

SECTION 18

SERVICE & METERING REQUIREMENTS

SUMMARY OF CONTENTS

<u>Description</u>	<u>Page</u>
Introduction	2
Conductor Identification & Color Coding	3
Service Voltages (Standard 1-1)	4
120/240 Volt, 1 Phase, 3 Wire, Up To 200 Amperes	5
120/240 Volt, 1-Phase, 3-Wire, Over 200 & Up To 600 Amperes	6
120/240 Volt, 1-Phase, 3-Wire, Multiple Occupancy Service Up To 600 Amperes	7
120/208 Volt, 3-Phase, 4-Wire, Multiple Occupancy Service, 1-Phase Network	8
120/240 Volt, 3-Phase, 4-Wire, Delta, Up To 200 Amperes	9
120/208 Or 277/480 Volt, 3 Phase, 4 Wire, Wye, 100 & 200 Amperes	10
Multiple & Single Occupancy Multi-Rate Services 0-480 Volts	11
CT Metering Arrangement	12
CT Metering Arrangement At Pad Mounted Transformer	13
Pedestal Metering Arrangements	14
Temporary Service Structure	15
Service Attachment Details	16
Service Mast Installation	17
Service Mast Installation Details	18
Underground Secondary Service Installation Details	19
Underground Primary Installation Details	20
Alternative Energy Interconnection "Type A"	AE-A1
Alternative Energy Interconnection "Type A" With CT	AE-A2
Alternative Energy Interconnection "Type B"	AE-B1
Alternative Energy Interconnection "Type B" Dual Meter Socket	AE-B2



DATE: June 26, 2018
 DRAWN: C. Rose
 REV.: N. Malcolm
 DATE: October 05, 2020

DISTRIBUTION STANDARDS

SERVICE & METERING REQUIREMENTS

APPROVED BY: _____
 DATE: _____

STANDARD NO.
18-1

INTRODUCTION

These standards cover CUC's requirements for service & metering and complement the customers handbook (terms of service) in this regard. Copies of the handbooks are available from CUC's offices as these standards do not cover every eventuality, prior approval and/or discussion with CUC's Planning Department is recommended for situations not clearly defined. **Always check with CUC regarding the location of service.**



DATE: June 26, 2018

DRAWN: C. Rose

REV.: N. Malcolm

DATE: October 05, 2020

DISTRIBUTION STANDARDS

SERVICE & METERING REQUIREMENTS

APPROVED BY:

STANDARD NO.

DATE:

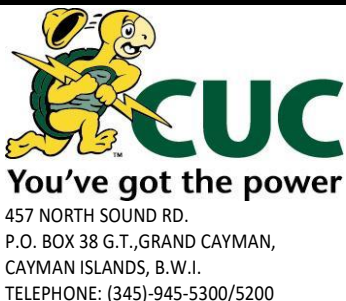
18-2

CONDUCTOR IDENTIFICATION & COLOUR CODING

NEUTRAL CONDUCTOR (S) shall be identified by a white or grey covering or by a distinctive **WHITE** marking

THREE PHASE SERVICE CONDUCTORS shall be identified by a distinctive marking, in accordance with the Inspection Authority requirements: (A) 120/240 volt (delta) – the **high leg** shall be identified with **ORANGE** marking; the remaining phase conductors shall be identified with **RED & BLACK** marking respectively. (B) 120/208 volt (wye) – the phase conductors shall be identified with **RED, BLACK** and **BLUE** respectively and (C) 277/480 volt (wye) – **BROWN, ORANGE** and **YELLOW**.

ALL CONDUCTORS requiring identification shall be marked (A) within 24 inches of the weatherhead (so identification will not be lost when conductors are trimmed for connection), (B) at the end of the conductors (weatherhead end), (C) in the CT cabinet and (D) at the main switch termination.



DATE: June 26, 2018

DRAWN: C. Rose

REV.: N. Malcolm

DATE: October 05, 2020

DISTRIBUTION STANDARDS

SERVICE & METERING REQUIREMENTS

APPROVED BY:

STANDARD NO.

DATE:

18-3

SERVICE VOLTAGES

CUC's standard service/secondary voltages are:

1. 120/240 volt, single phase, three wire
2. 120/208 volt, three phase, four wire WYE
3. 277/480 volt, three phase, four wire WYE

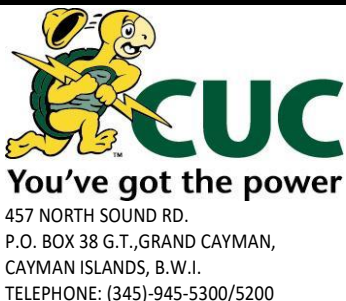
NOTE:

- A) There are several existing non-standard 120/240 volt, three phase, four wire Delta services on the island. Where possible these will be eliminated and converted to 120/208 volt or 277/480 volt three phase, four wire WYE systems. There will be no new 120/240 volt, three phase, four wire Delta systems permitted.
- B) CUC has 120/208 volt single phase network services in complex's that have a 120/208 volt three phase main service.

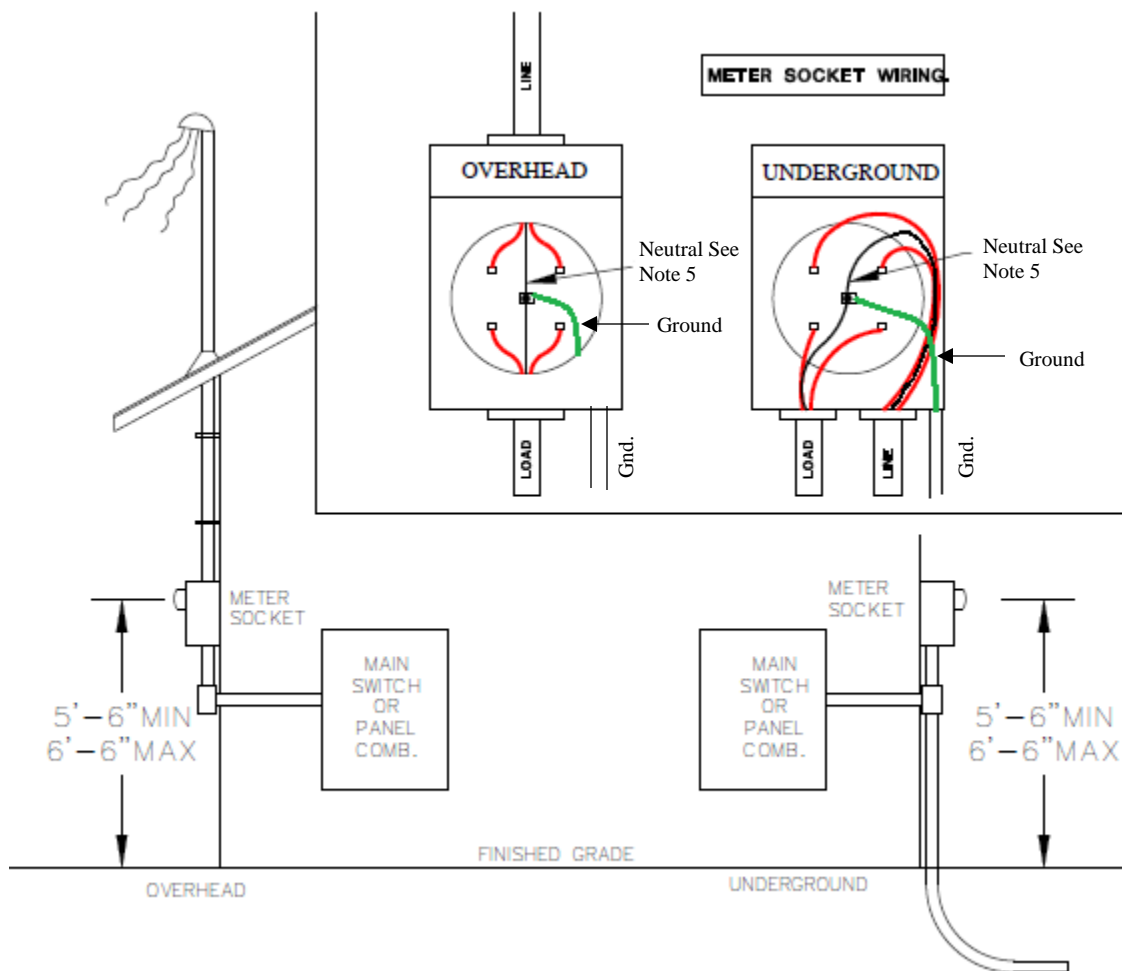
CUC discourages our customers from using small 120/208 or 277/480 volt three phase services, particularly in areas where the total kVA is less than 75 kVA. Smaller requirements will be dealt with on an individual basis and will require a customer contribution.

CUC requires all new customers to contact CUC Planning Department for review of site plans and electrical load sheets before construction.

CUC encourages all customers with large service requirements exceeding 300 kVA to use underground where practical.



DATE: 12/09/2016	DISTRIBUTION STANDARDS	
DRAWN:	SERVICE VOLTAGES	
REV.:		
DATE:		
	APPROVED BY:	STANDARD NO.
	DATE: Sept. 19, 2016	1-1

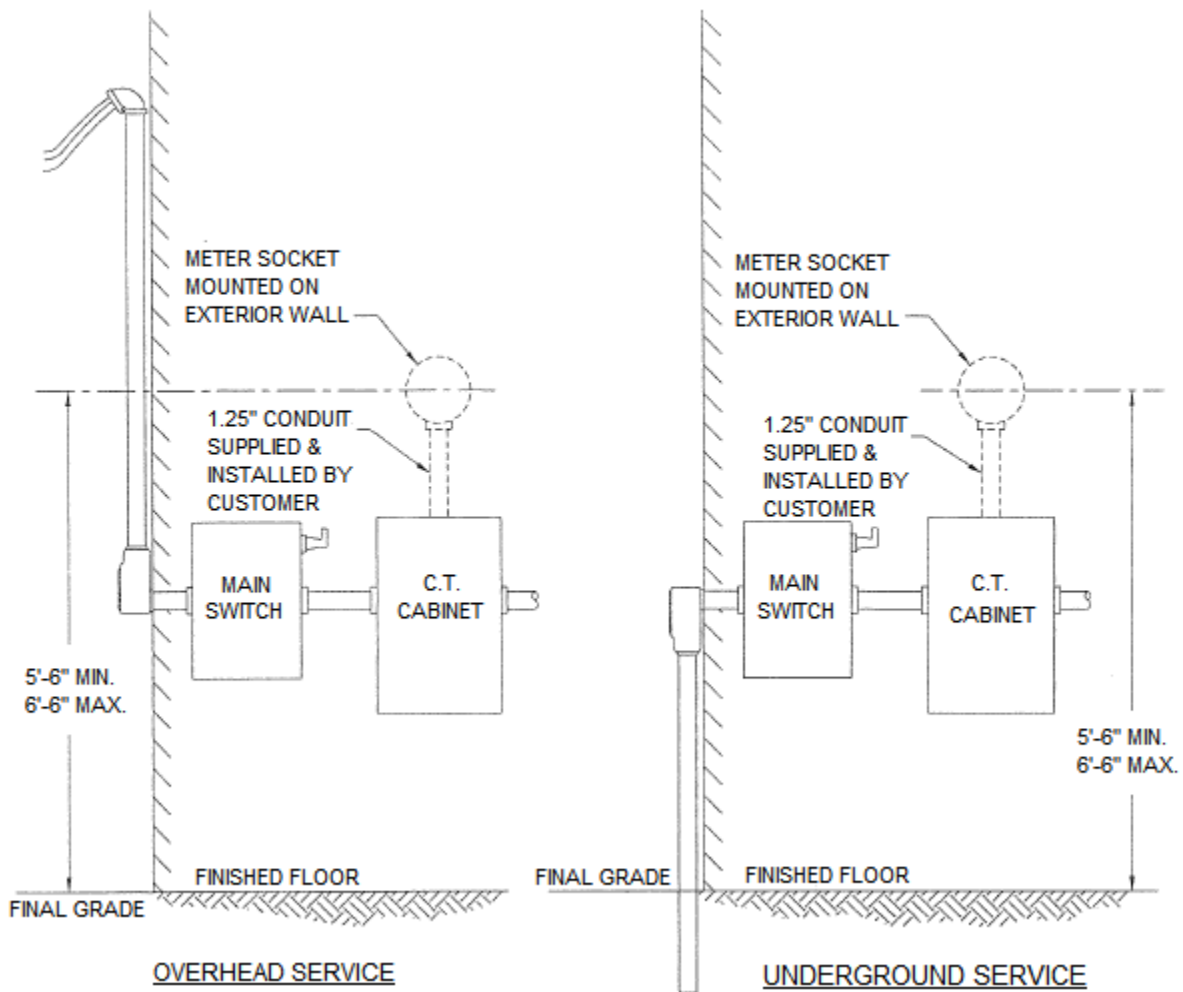


NOTES:

1. Installation shall conform to the Electrical Code of the Cayman Islands and CUC requirements.
2. Meter socket may be surface mounted or recessed.
3. Meter socket shall be UL approved. Where meter socket is surface mounted with an underground supply a blank top meter socket is required.
4. LB's are not permitted on the line side of the meter socket.
5. Neutral conductor must pass through the neutral connection – neutral cannot be broken.
6. Ground wire shall pass through the meter socket and be bonded to the ground bar then connected to the main switch or panel ground.



DATE: July 4, 2018	STANDARD SERVICE & METERING ARRANGEMENT	
DRAWN: C. Rose		
REV.:	120/240 VOLT, 1-PHASE, 3-WIRE, UP TO 200 AMPERES	
DATE:		
	APPROVED BY:	STANDARD NO. 18-5
	DATE:	



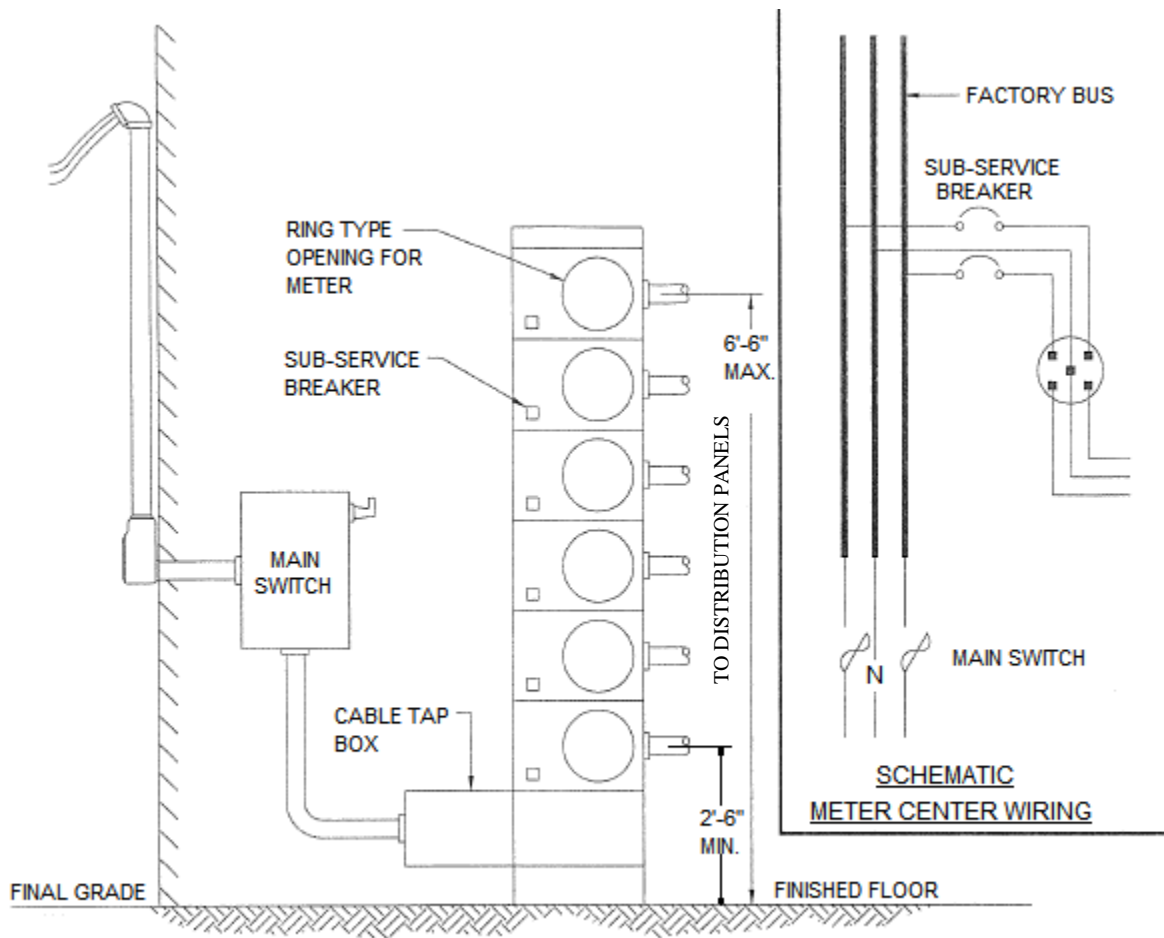
NOTES:

1. Installation shall conform to the Electrical Code of the Cayman Islands and CUC requirements.
2. Meter socket shall be UL approved and may be surface mounted or recessed.
3. Meter socket shall be located as close as practical to the C.T. cabinet and shall not be more than a maximum of 40 feet from the C.T. cabinet.
4. C.T.'s shall be supplied by CUC and installed by the customer.
5. C.T. cabinet shall be equipped with provision for locking.
6. For C.T. cabinet specifications refer to drawing 18-12.



CUC
You've got the power
 457 NORTH SOUND RD.
 P.O. BOX 38 G.T., GRAND CAYMAN,
 CAYMAN ISLANDS, B.W.I.
 TELEPHONE: (345)-945-5300/5200

DATE: July 4, 2018	STANDARD SERVICE & METERING ARRANGEMENT	
DRAWN: C. Rose		
REV.:	120/240 VOLT, 1-PHASE, 3-WIRE, OVER 200 & UP TO 600 AMPERES	
DATE:		
	APPROVED BY:	STANDARD NO.
	DATE:	18-6



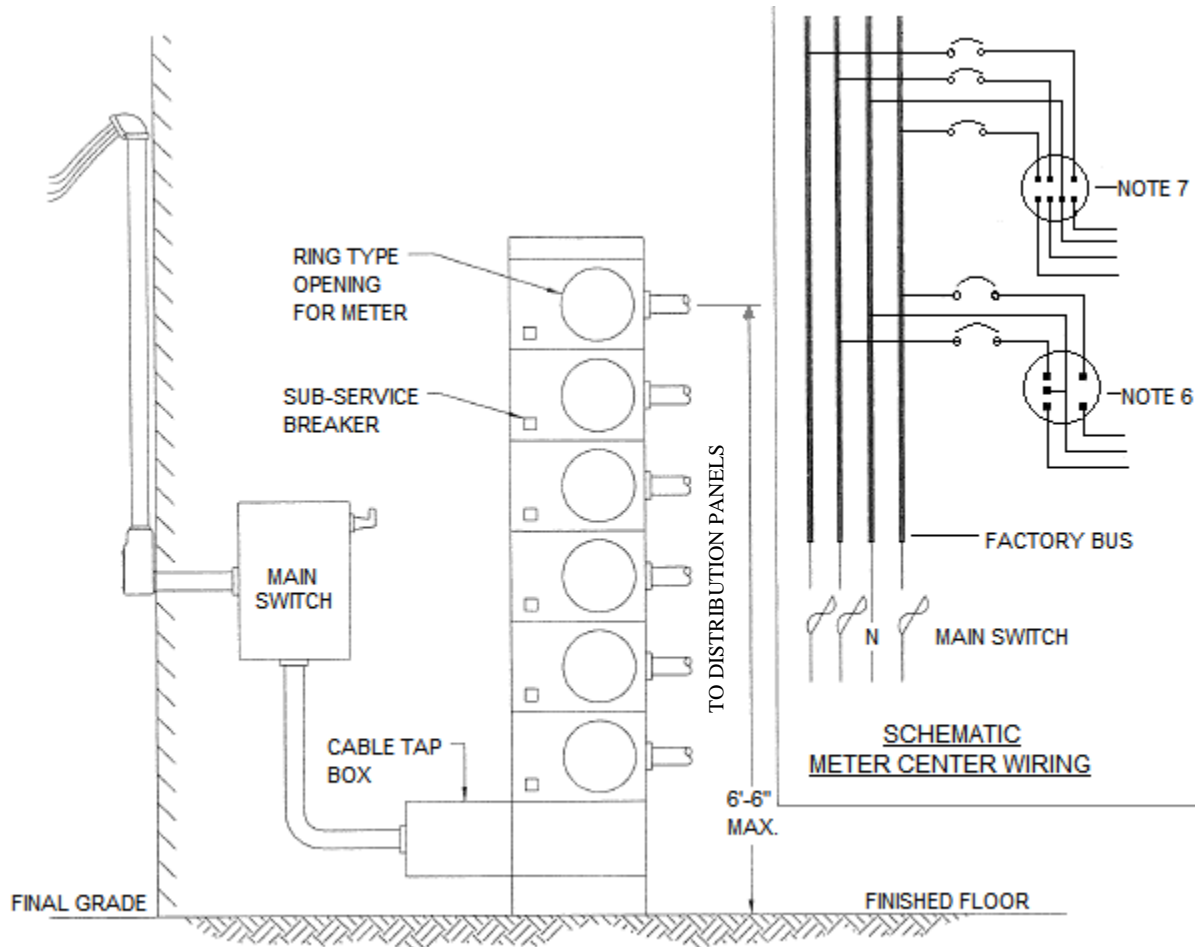
METER CENTER ARRANGEMENT

NOTES:

1. Installation shall conform to the Electrical Code of the Cayman Islands and CUC requirements.
2. Metering center shall be UL rated and approved, rainproof, and have ring type meter openings.
3. The meter center shall be cold sequence metering.
4. Each position must be protected by a breaker and labeled to indicate which section it controls.
5. Prior approval of CUC is required for installations with more than six positions.
6. The main switch cannot be fused.
7. Installation must be accessible to CUC personnel.
8. All line side cabinets/sections, breaker cabinet/section, cable boxes, etc. must have provisions for locking by CUC.
9. Service can be overhead or underground.

You've got the power
 457 NORTH SOUND RD.
 P.O. BOX 38 G.T., GRAND CAYMAN,
 CAYMAN ISLANDS, B.W.I.
 TELEPHONE: (345)-945-5300/5200

DATE: July 4, 2018	STANDARD SERVICE & METERING ARRANGEMENT	
DRAWN: C. Rose		
REV.:	120/240 VOLT, 1-PHASE, 3-WIRE, MULTIPLE OCCUPANCY SERVICE UP TO 600 AMPERES	
DATE:		
	APPROVED BY:	STANDARD NO. 18-7
	DATE:	



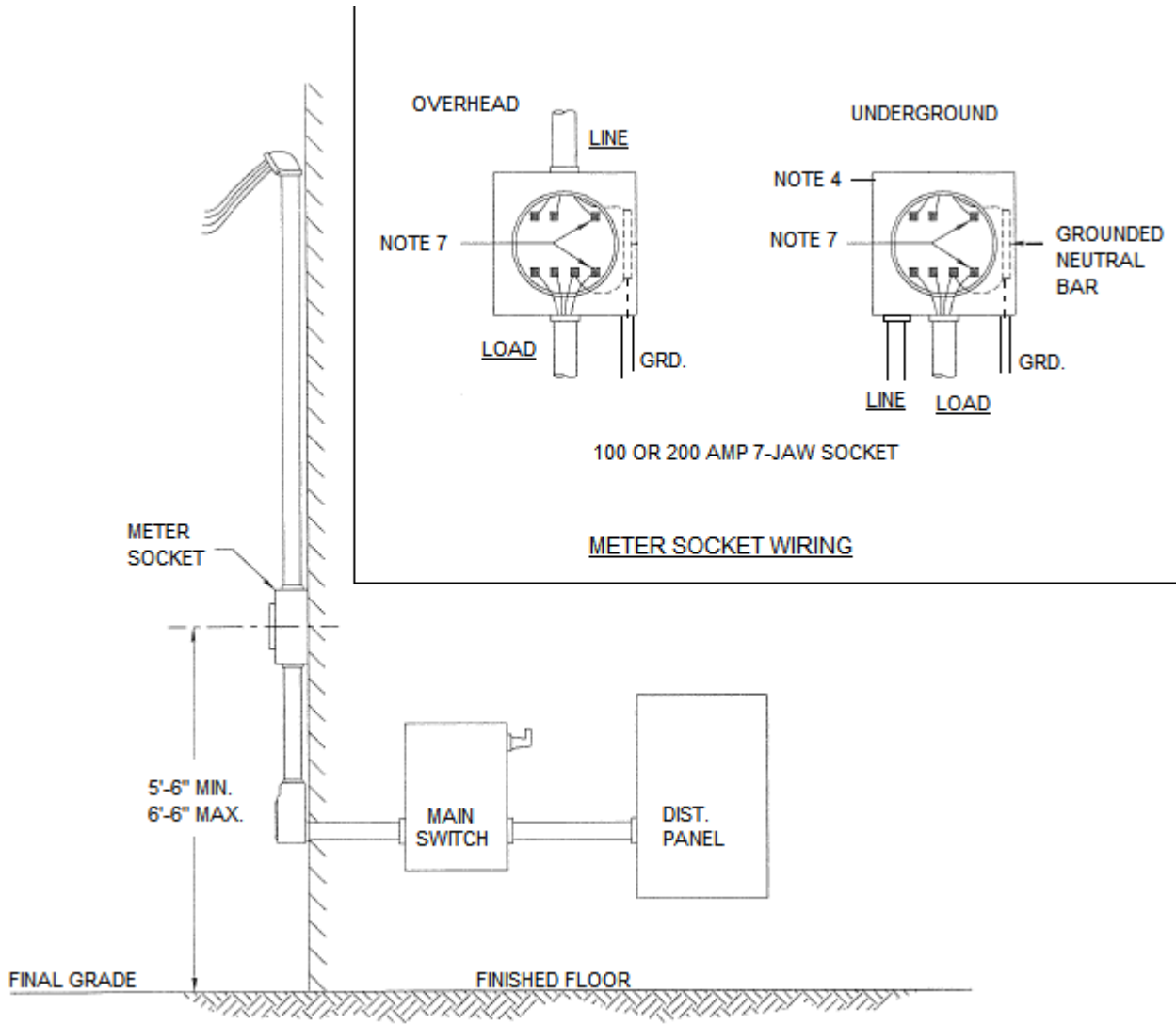
METER CENTER ARRANGEMENT

NOTES:

1. Installation shall conform to the Electrical Code of the Cayman Islands and CUC requirements.
2. Metering center shall be UL rated and approved, rainproof, and have ring type meter openings.
3. The meter center shall be cold sequence metering.
4. Each position must be protected by a breaker and labeled to indicate which section it controls.
5. Prior approval of CUC is required for installations with more than six positions.
6. The fifth jaw shall be mounted in the 9 o'clock position and wired to strand of the neutral.
7. For 3-phase service a 7-jaw meter socket is required.
8. The main switch cannot be fused.
9. Installation must be accessible to CUC personnel.
10. All line side cabinets/sections, breaker cabinet/section, cable boxes, etc. must have provisions for locking by CUC.
11. Service can be overhead or underground subject to prior approval from CUC.

You've got the power
 457 NORTH SOUND RD.
 P.O. BOX 38 G.T., GRAND CAYMAN,
 CAYMAN ISLANDS, B.W.I.
 TELEPHONE: (345)-945-5300/5200

DATE: July 4, 2018	STANDARD SERVICE & METERING ARRANGEMENT	
DRAWN: C. Rose		
REV.:	120/208 VOLT, 3-PHASE, 4-WIRE, MULTIPLE OCCUPANCY SERVICE 1-PHASE NETWORK	
DATE:		
	APPROVED BY:	STANDARD NO.
	DATE:	18-8

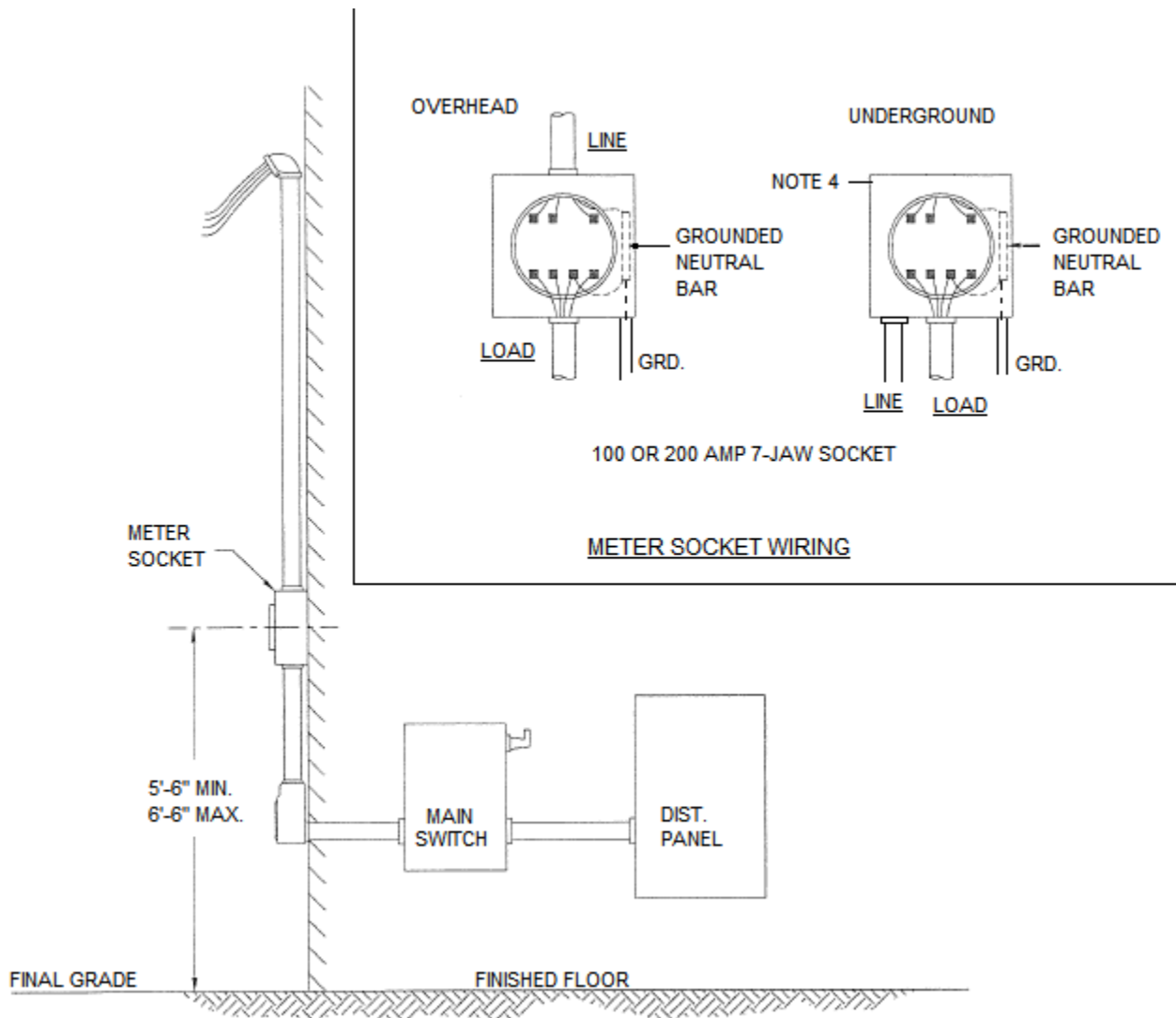


NOTES:

1. This service may **only be installed subject to prior approval of CUC.**
2. Installation shall conform to the Electrical Code of the Cayman Islands and CUC requirements.
3. Meter socket shall be UL approved and may be surface mounted or recessed.
4. Where meter socket is surface mounted with an underground supply a blank top meter socket is required.
5. LB's are not permitted on the line side of the meter socket.
6. Conductors must be marked or color coded in accordance with the requirements on page 18-3.
7. The high leg must be installed on the far right position when facing the meter socket and must be identified at the service head, meter socket and distribution panel.
8. Ground wire shall pass through the meter socket and be bonded to the ground bar then connected to the main switch or panel ground.

CUC
You've got the power
 457 NORTH SOUND RD.
 P.O. BOX 38 G.T., GRAND CAYMAN,
 CAYMAN ISLANDS, B.W.I.
 TELEPHONE: (345)-945-5300/5200

DATE: July 17, 2018	STANDARD SERVICE & METERING ARRANGEMENT	
DRAWN: C. Rose		
REV.:	120/240 VOLT, 3-PHASE, 4-WIRE, DELTA UP TO 200 AMPERES	
DATE:		
	APPROVED BY:	STANDARD NO.
	DATE:	18-9

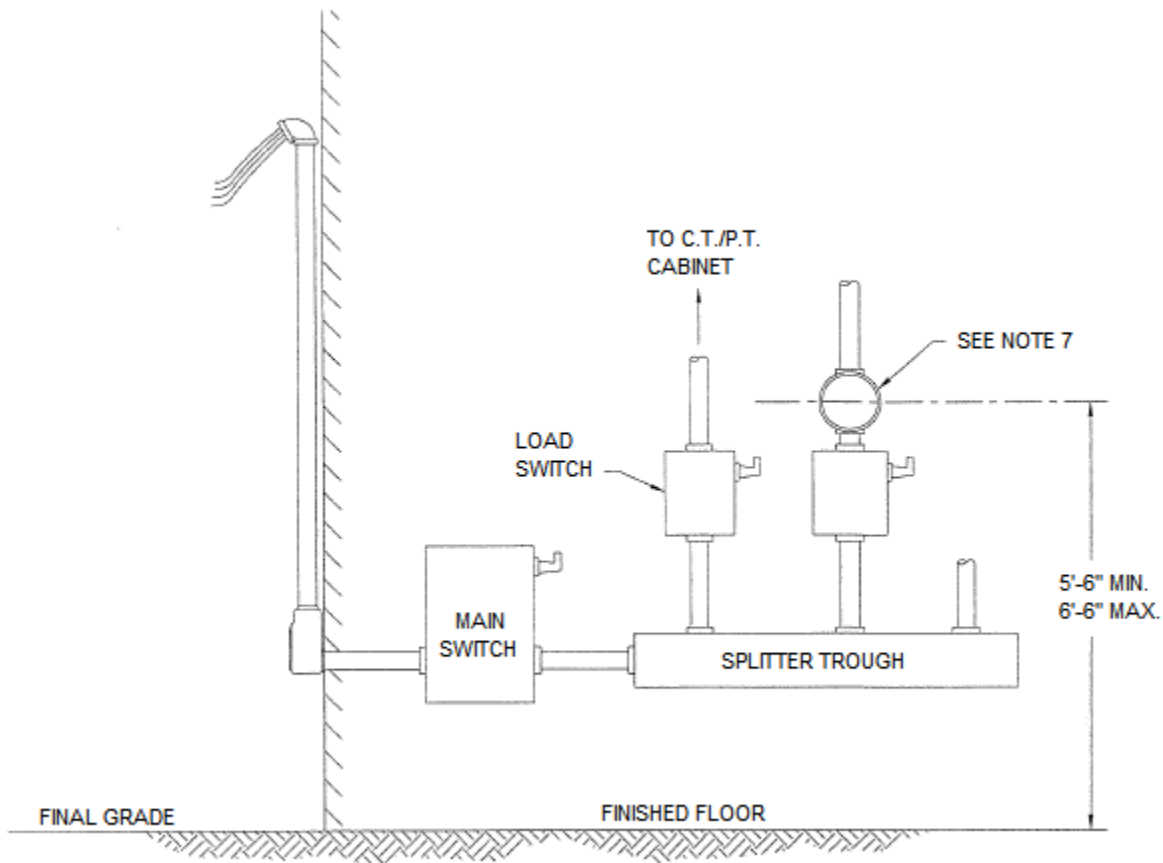


NOTES:

1. Installation shall conform to the Electrical Code of the Cayman Islands and CUC requirements.
2. Meter socket shall be UL approved and may be surface mounted or recessed.
3. LB's are not permitted on the line side of the meter socket.
4. Where meter socket is surface mounted with an underground supply a blank top meter socket is required.
5. Conductors must be marked or color coded in accordance with the requirements on page 18-3.
6. Ground wire shall pass through the meter socket and be bonded to the ground bar then connected to the main switch or panel ground.

CUC
You've got the power
 457 NORTH SOUND RD.
 P.O. BOX 38 G.T., GRAND CAYMAN,
 CAYMAN ISLANDS, B.W.I.
 TELEPHONE: (345)-945-5300/5200

DATE: July 6, 2018	STANDARD SERVICE & METERING ARRANGEMENT	
DRAWN: C. Rose		
REV.:	120/208 OR 277/480 VOLT, 3-PHASE, 4-WIRE, WYE, 100 & 200 AMP SERVICE	
DATE:		
	APPROVED BY:	STANDARD NO.
	DATE:	18-10



SPLITTER TROUGH ARRANGEMENT

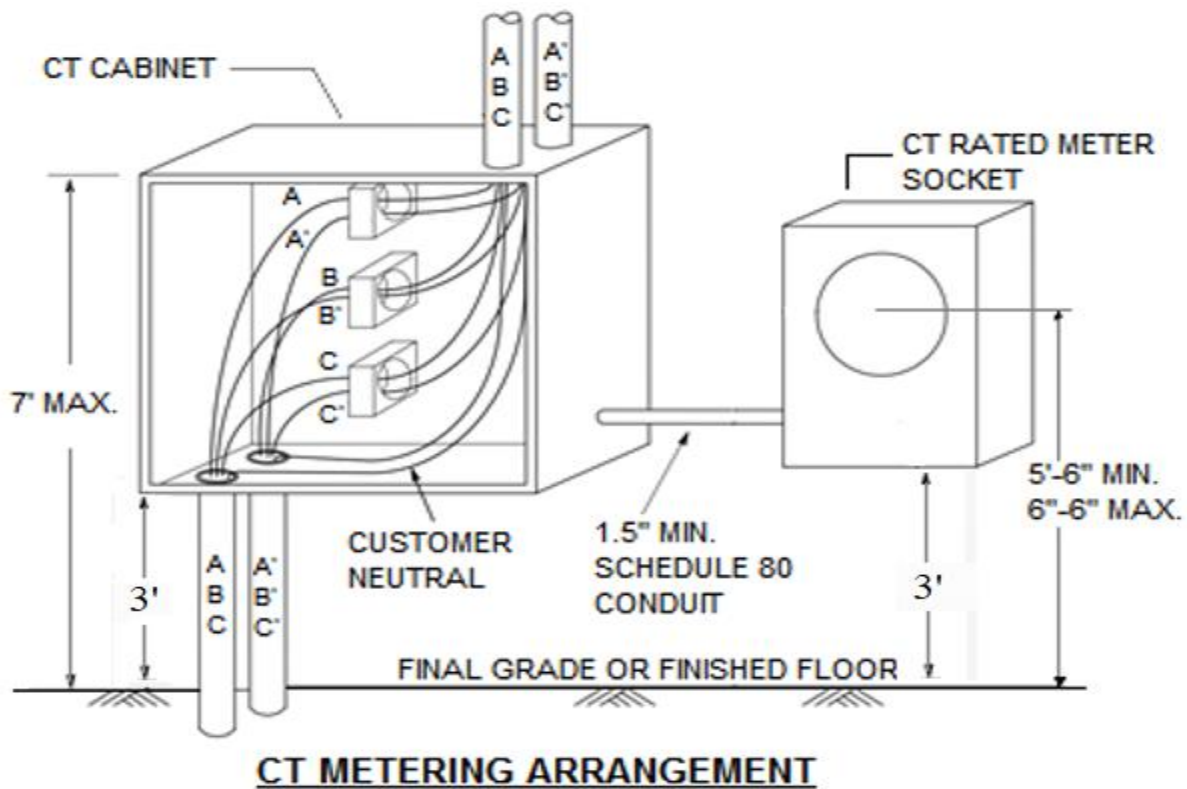
NOTES:

1. This arrangement shall be subject to prior approval of CUC.
2. Installation shall conform to the Electrical Code of the Cayman Islands and CUC requirements.
3. The splitter trough and CT/PT cabinet shall be equipped with provision for locking.
4. Meter socket rated 600 volts shall be supplied and installed by the customer.
5. CT's and connectors shall be supplied by CUC and installed by the customer.
6. PT's shall be supplied and installed by CUC.
7. For 120/240 volt 1-phase and 120/208 volt 3-phase up to 200 amp services, the meter socket may be installed on the line side of the load switch.



CUC
You've got the power
 457 NORTH SOUND RD.
 P.O. BOX 38 G.T., GRAND CAYMAN,
 CAYMAN ISLANDS, B.W.I.
 TELEPHONE: (345)-945-5300/5200

DATE: July 6, 2018	STANDARD SERVICE & METERING ARRANGEMENT	
DRAWN: C. Rose		
REV.:	MULTIPLE & SINGLE OCCUPANCY MULTI- RATE SERVICES, 0-480 VOLT	
DATE:		
	APPROVED BY:	STANDARD NO. 18-11
	DATE:	

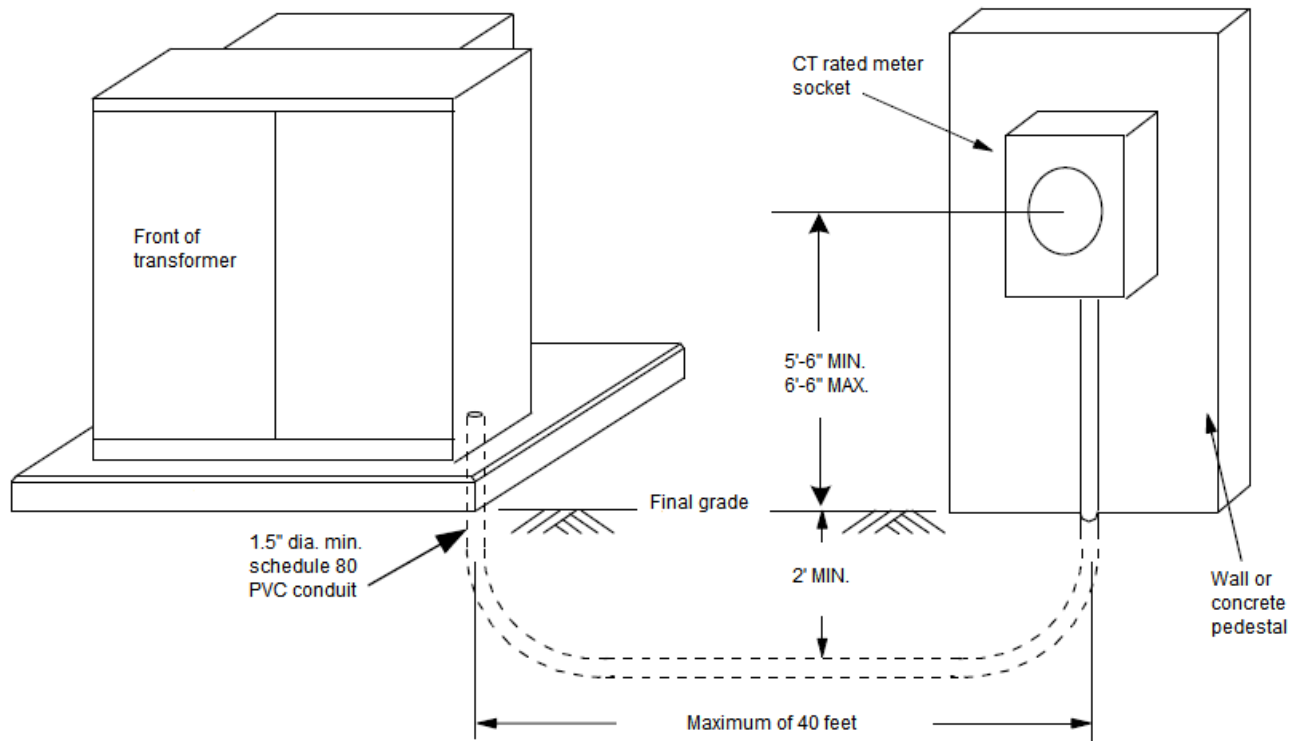


NOTES:

1. Installation shall conform to the Electrical Code of the Cayman Islands and CUC requirements.
2. The meter cabinet shall be supplied by CUC and installed by the customer.
3. The CT cabinet shall conform to CUC's specifications. CT's shall be supplied by CUC and installed by the customer.
4. The meter and CT cabinets shall normally be placed outside on an exterior wall. With CUC prior approval, both meter and CT cabinets may be placed inside if contained in an electrical room accessible to CUC personnel.
5. The meter cabinet shall be located as close as practical (but not greater than 40 feet) to the CT cabinet and connected together with a minimum 1-1/2" schedule 80 conduit.
6. The requirements for overhead or underground service shall be in accordance with the appropriate service arrangement.
7. LB's and/or splices are not permitted on the line side of the CT cabinet nor are splices permitted inside the CT cabinet.
8. Ground wire must pass through the CT cabinet and be bonded to the cabinet, then connected to the main switch ground. The meter cabinet must be grounded (#10 AWG min.) to the CT cabinet. A ground lug must be provided inside the CT cabinet.
9. Conductors must be marked or color coded in accordance with the requirements on page 18-3.
10. Minimum CT cabinet size shall be:
 - a. 24" wide x 24" high x 10" deep for CT's up to 800 amperes
 - b. 30" wide x 30" high x 15" deep for CT's over 800 amperes
11. CT cabinet may be constructed of mild steel or stainless steel with a minimum thickness of 14 gauge. Mild steel must be primed and painted or galvanized. Plastic and fiberglass may also be acceptable.
12. Cabinets must be weatherproof with draw pull catchers and provision for locking. All hardware shall be stainless steel.
13. If the CT cabinet does not have a CT mounting arrangement, then preservative treated plywood shall be secured to the inside back of the cabinet for installation of CT's.

You've got the power
 457 NORTH SOUND RD.
 P.O. BOX 38 G.T., GRAND CAYMAN,
 CAYMAN ISLANDS, B.W.I.
 TELEPHONE: (345)-945-5300/5200

DATE: July 9, 2018	STANDARD SERVICE & METERING ARRANGEMENT	
DRAWN: C. Rose		
REV.: N. Malcolm	CT METERING ARRANGEMENT	
DATE: October 05, 2020		
	APPROVED BY:	STANDARD NO. 18-12
	DATE:	



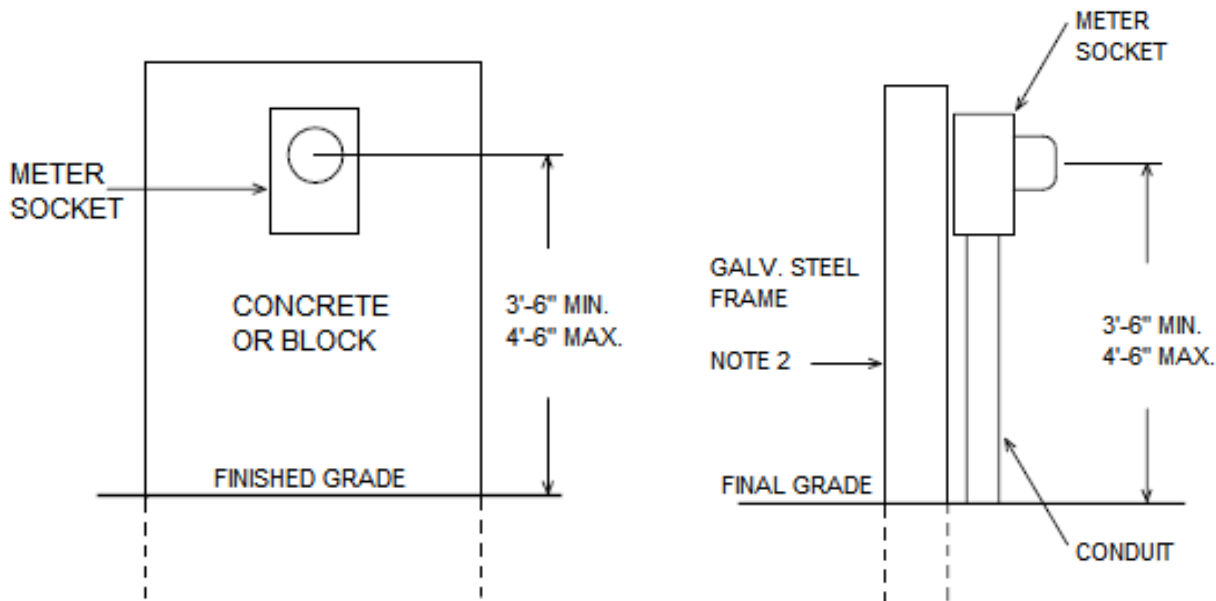
NOTES:

1. This arrangement shall be subject to prior approval of CUC and shall only be available on a transformer supplying a single customer.
2. Installation shall conform to the Electrical Code of the Cayman Islands and CUC requirements.
3. The CT's will be supplied and installed by CUC.
4. The meter socket shall be located as close as practical (but not greater than 40 feet) to the transformer and connected together with a minimum 1.5" diameter schedule 80 conduit. LB's are not permitted and a maximum of two 90° elbows will be permitted in the conduit run.
5. The CT conduit shall be located in the transformer opening area reserved for customer conductors.



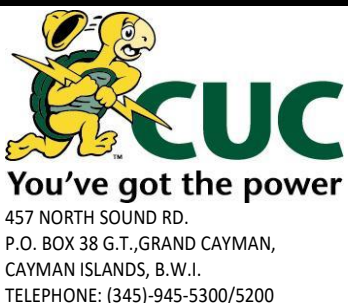
CUC
You've got the power
 457 NORTH SOUND RD.
 P.O. BOX 38 G.T., GRAND CAYMAN,
 CAYMAN ISLANDS, B.W.I.
 TELEPHONE: (345)-945-5300/5200

DATE: July 11, 2018	STANDARD SERVICE & METERING ARRANGEMENT	
DRAWN: C. Rose		
REV.:	CT METERING ARRANGEMENT AT PAD-MOUNTED TRANSFORMER	
DATE:		
	APPROVED BY:	STANDARD NO. 18-13
	DATE:	

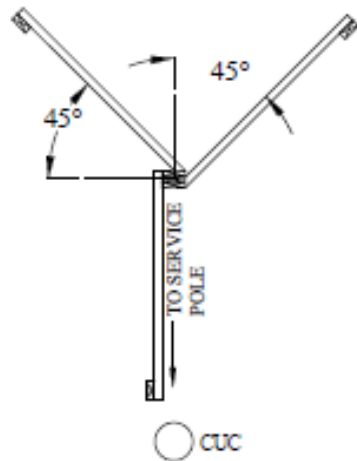
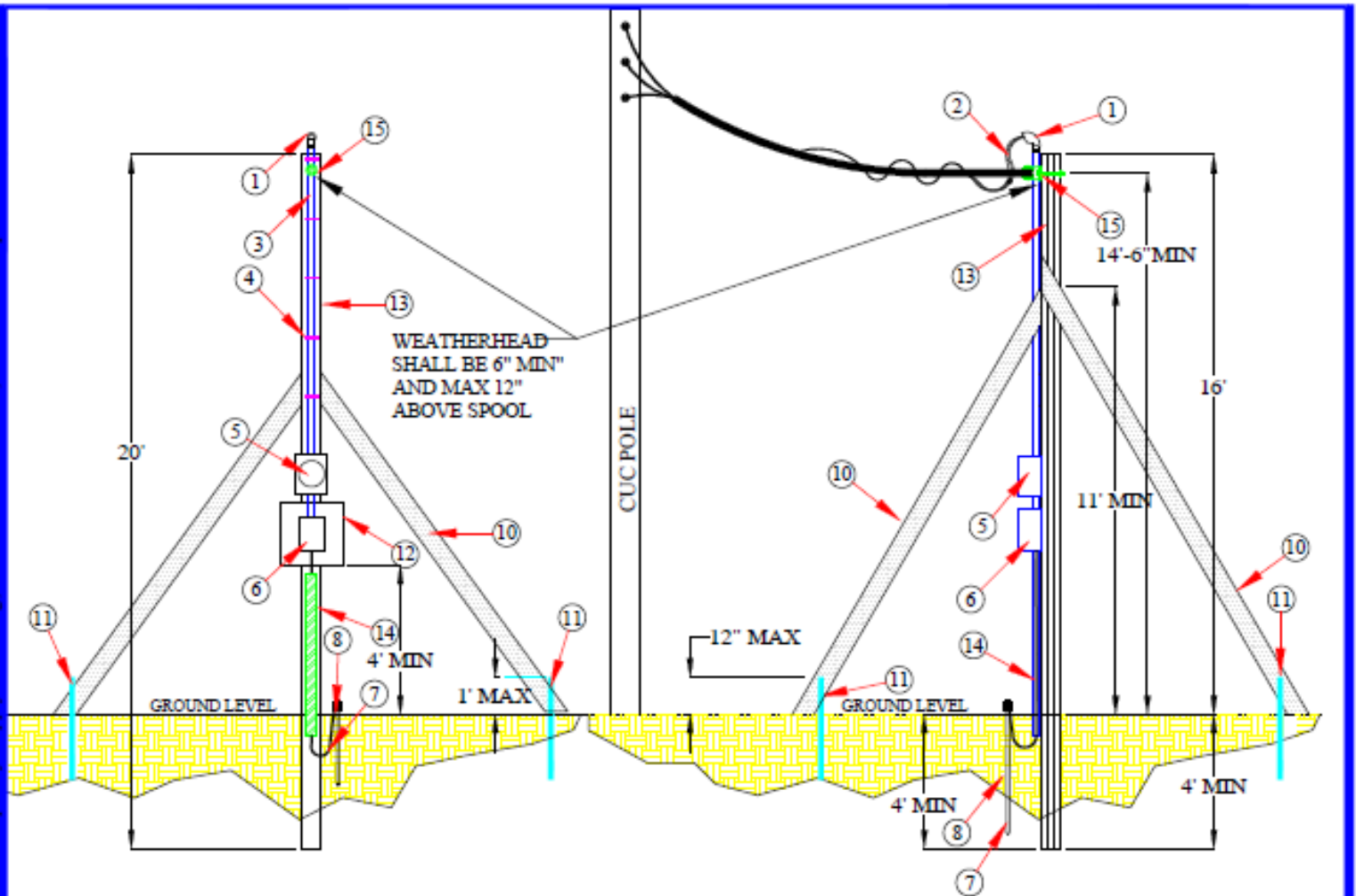


NOTES:

1. Metering may be installed on a pedestal as an alternative to a building, etc.
2. Cabinet and meter sockets may be flush mounted or recessed and may be secured by a concrete or block wall or suitable galvanized steel frame.
3. The center of the meter socket shall be located not less than 3'-6" and not more than 4'-6" above finished grade.
4. Metering and CT connections must be in accordance with the appropriate CUC metering requirements.
5. All arrangements must be readily accessible to CUC personnel and be unobstructed. If the pedestal is susceptible to damage by vehicles or other traffic, suitable protection is required.



DATE: July 11, 2018	STANDARD SERVICE & METERING ARRANGEMENT	
DRAWN: C. Rose		
REV.:	PEDESTAL METERING ARRANGEMENT	
DATE:		
	APPROVED BY:	STANDARD NO. 18-14
	DATE:	



CUSTOMER MATERIAL

- | | |
|---|--|
| 1. SERVICE HEAD
2. INSULATED SERVICE ENTRANCE CONDUCTOR
3. CONDUIT
4. SERVICE MAST CLAMPS
5. METER SOCKET BASE
6. SERVICE ENTRANCE SWITCH RATED NEMA 3
7. GROUND ROD IN ACCORDANCE WITH NEC
8. GROUND ROD CLAMP
9. GROUND WIRE IN ACCORDANCE WITH NEC | 10. MINIMUM 2X4 PRESSURE TREATED T-BRACE
11. MINIMUM 3/8\" STEEL REBAR
12. 3/4\" WOOD MOUNTING BOARD OR WEATHERPROOF BOX
13. SUPPORTING STRUCTURE TO BE SUPPLIED BY CUSTOMER MINIMUM PRESSURE TREATED 4\"x4\"x20\"
14. INSULATING MOULDING AND STAPLES
15. WIRE HOLDER (CUC SUPPLIED) |
|---|--|

- A. FASTEN MOUNTING BOARD/BOX SECURELY TO POLE.
- B. SERVICE ATTACHMENT HEIGHT SHALL BE INCREASED WHERE ADDITIONAL GROUND CLEARANCES ARE REQUIRED.
- C. THE ELECTRICAL INSPECTOR MUST ENSURE THE TEMPORARY SUPPORT IS SAFE FOR SERVICE ATTACHMENT AND REJECT ALL THOSE CONSIDERED TO BE INADEQUATE.
- D. SERVICE TO BE PLACED AS CLOSE AS POSSIBLE TO CUC POLE



DATE: DEC. 2014
 DRAWN: DM
 REV: C
 DATE: FEB 19, 2016

STANDARD SERVICE & METERING ARRANGEMENT

TEMPORARY SERVICE STRUCTURE

APPROVED BY:	STANDARD NO. 18-15
DATE :	

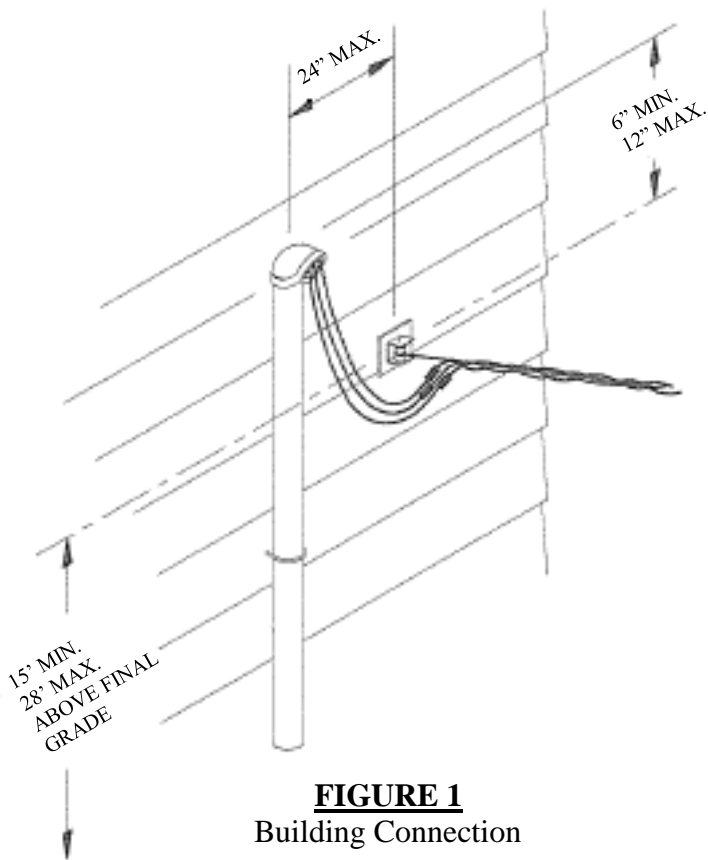


FIGURE 1
Building Connection

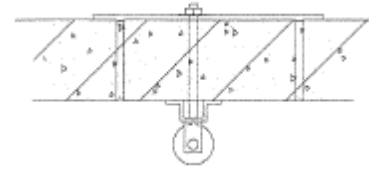


FIGURE 2
Concrete or Block Wall

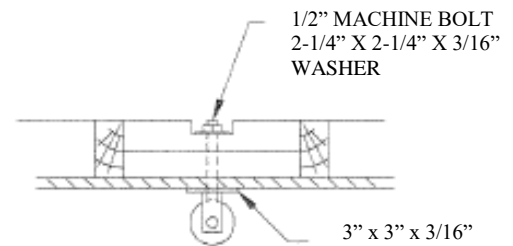


FIGURE 3
Wood Construction

NOTES:

1. The location of the service and the type of attachment shall be to the satisfaction of CUC and the Electrical Inspection Authority.
2. The horizontal distance from the service conduit to the service attachment shall not exceed 24 inches.
3. The height of the service attachment spool shall be a minimum of 15'-0" and a maximum of 28'-0" above final grade.
4. The top of the conduit at the weather head must be a minimum of 6" and a maximum of 12" above the service attachment point.
5. The service attachment shall be capable of withstanding a tension of 600 lbs. for a single phase service and 900 lbs. for a three phase service.
6. The spool, clevis, bolt, and washer will be supplied by CUC.
7. Three phase and multi conductor services must be marked or color coded in accordance with the requirements on page 18-3.
8. Service conductors must extend a minimum of 36" from the weather head.
9. All hardware must be hot dipped galvanized.

CUC
You've got the power

457 NORTH SOUND RD.
P.O. BOX 38 G.T., GRAND CAYMAN,
CAYMAN ISLANDS, B.W.I.
TELEPHONE: (345)-945-5300/5200

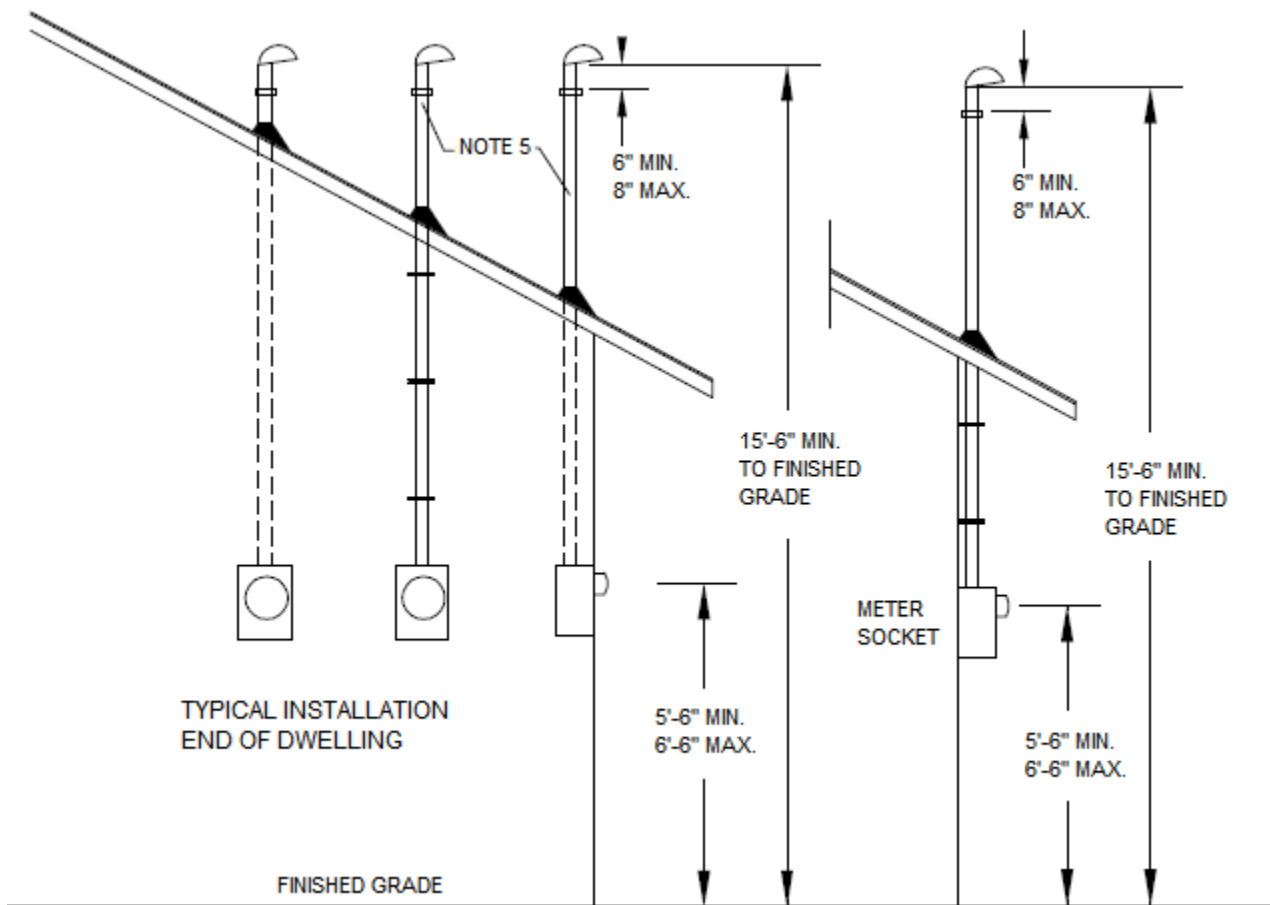
DATE: July 11, 2018
DRAWN: C. Rose
REV.:
DATE:

**STANDARD SERVICE & METERING
ARRANGEMENT**

SERVICE ATTACHMENT DETAILS

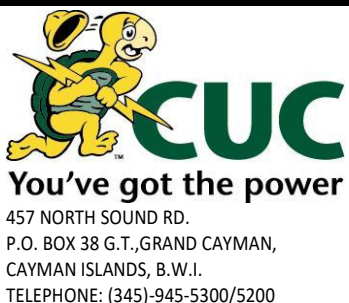
APPROVED BY:
DATE:

STANDARD NO.
18-16



NOTES:

1. The location of the service and the type of attachment shall be to the satisfaction of CUC and the Electrical Inspection Authority.
2. The top of the service conduit at the weather head must be a minimum of 15'-6" above finished grade.
3. The center of the meter socket shall be a minimum of 5'-6" and a maximum of 6'-6" above finished grade.
4. The meter socket can be surface mounted or recessed.
5. The size (diameter) of the service mast conduit shall be in accordance with the chart on page 18-18.
6. The length of conduit required from the meter socket to the weather head will generally be 10' to meet the above requirements.
7. Masts must be secured with the proper hardware designed for mast support (see page 18-18 for details).
8. It is recommended that masts also be secured to rafters with wood blocking, U-bolt or bracket (see page 18-18 for details).
9. Service mast must extend 3'-6" above the roof. The maximum height allowed is 6'-0" in accordance with the chart on page 18-18.
10. Clearances are indicated to top of conduit, rather than point of service cable attachment, as the spool attachment is installed by CUC.
11. Service conductors must extend a minimum of 36" from the weather head.
12. All hardware must be hot dipped galvanized.



DATE: July 12, 2018	STANDARD SERVICE & METERING ARRANGEMENT	
DRAWN: C. Rose		
REV.:	SERVICE MAST INSTALLATION	
DATE:		
	APPROVED BY:	STANDARD NO. 18-17
	DATE:	

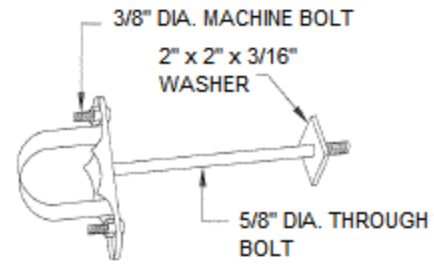
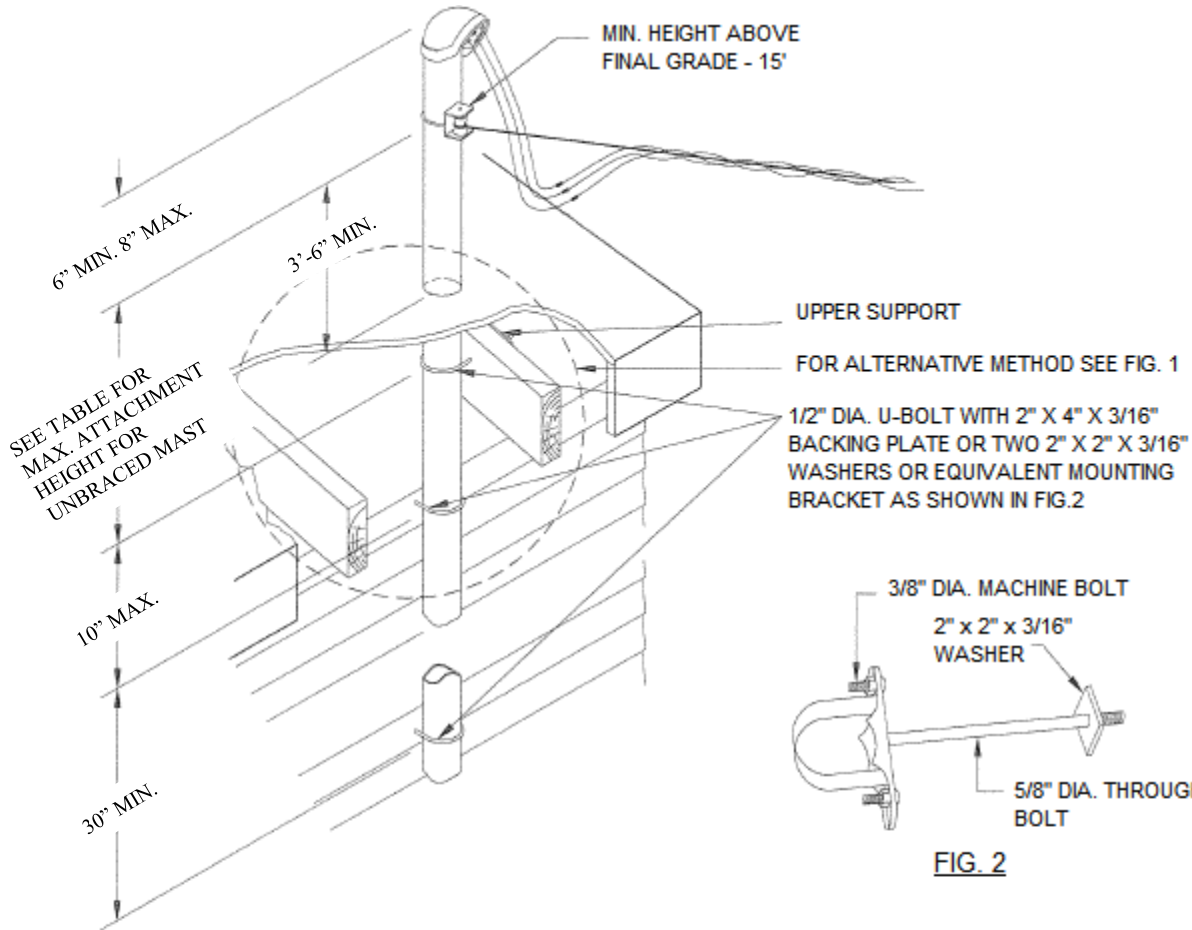


FIG. 2

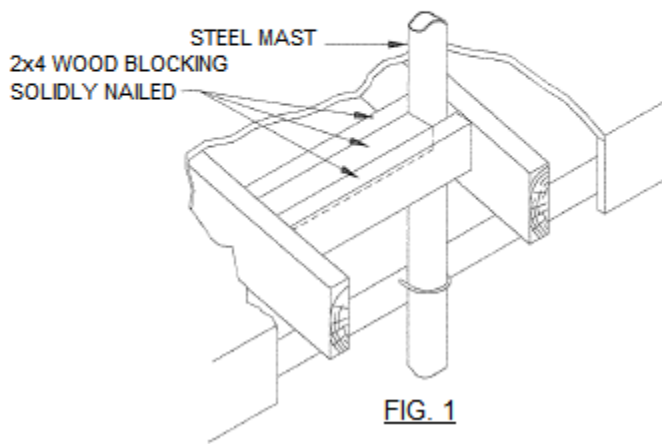


FIG. 1

MAXIMUM SERVICE BRACKET ATTACHMENT HEIGHT ABOVE LAST FIRM SUPPORT FOR RIGID METALLIC CONDUIT	
CONDUIT SIZE (INCHES)	CONDUIT HEIGHT (FEET)
2	4
2.5	6

NOTES:

1. Conduit must be secured at not more than 30" intervals including securing at the rafters and within 12" of the meter socket.
2. Meter socket shall be securely fastened.

CUC
 You've got the power
 457 NORTH SOUND RD.
 P.O. BOX 38 G.T., GRAND CAYMAN,
 CAYMAN ISLANDS, B.W.I.
 TELEPHONE: (345)-945-5300/5200

DATE: July 12, 2018
 DRAWN: C. Rose
 REV.:
 DATE:

STANDARD SERVICE & METERING ARRANGEMENT

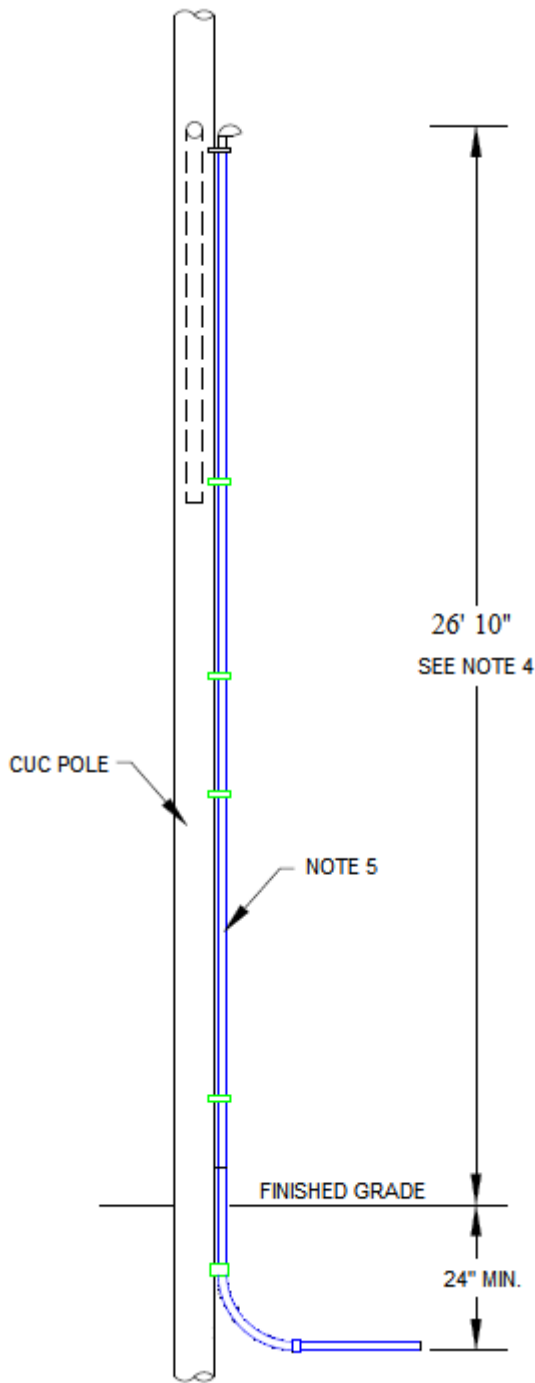
SERVICE MAST INSTALLATION DETAILS

APPROVED BY:
 DATE:

STANDARD NO.
18-18

NOTES:

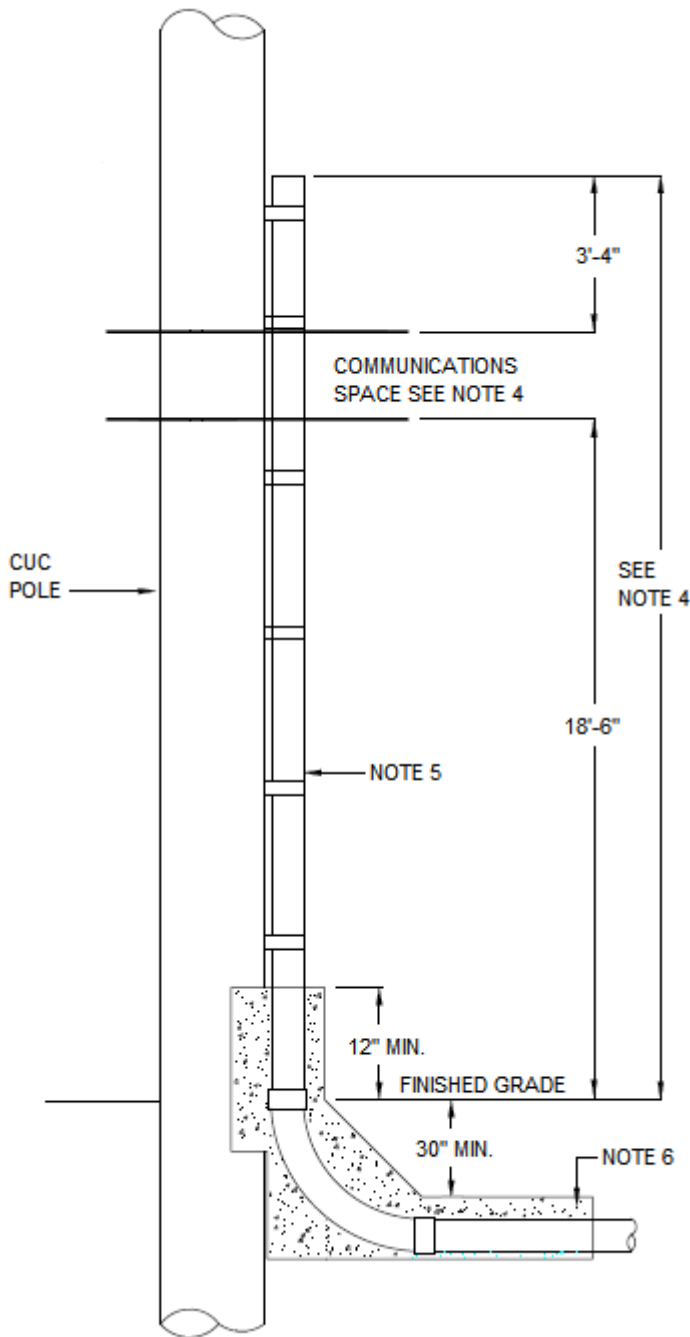
1. The customer must obtain prior permission for the installation of U/G service on CUC poles.
2. The location of the U/G service, i.e. side of the pole must be obtained from CUC's Planning Dept.
3. If more than two conduits are required, a conduit standoff bracket (Aluma-Form 9-CSO-12 or equivalent) is required. The number of conduits shall be limited to 5.
4. A weather head height of 26'-10" minimum is required on all mainline and most secondary service poles. A reduced minimum of 15'-6" may be available on a customer-owned service termination pole. In no case is the customer permitted to work within 10 feet of CUC primary or secondary conductors.
5. Conduit must be Schedule 80 PVC, however, should the customer wish to use an alternate conduit, the elbow at the base of the pole and the first conduit section extending up the pole a minimum distance of 8' shall be galvanized rigid steel and connected to a ground rod.
6. Sufficient conductor must be provided for type of connection as follows:
 - a. 3 feet for supply drop
 - b. 6 feet for open wire secondary
 - c. 10 feet for transformer
7. Three phase and multi-conductor services must be marked or color coded in accordance with the requirements on page 18-3.
8. All hardware must be hot dipped galvanized.



DATE: July 13, 2018	STANDARD SERVICE & METERING ARRANGEMENT	
DRAWN: C. Rose		
REV.: N. Malcolm	UNDERGROUND SECONDARY SERVICE INSTALLATION DETAILS	
DATE: October 05, 2020		
	APPROVED BY:	STANDARD NO. 18-19
	DATE:	

NOTES:

1. The customer must obtain prior permission for the installation of U/G primary on CUC poles.
2. The location of the U/G primary, i.e. side of the pole must be obtained from CUC's Planning Dept.
3. If more than two conduits are required, a conduit standoff bracket (Aluma-Form 9-CSO-12 or equivalent) is required.
4. A conduit height of 26'-10" minimum is required on all mainline communication joint use poles. A reduced height may be permitted with prior CUC approval where joint use is not required. In no case is the customer permitted to work within 10 feet of CUC primary or secondary conductors.
5. Schedule 80 PVC conduit will be required for the long sweep elbow encased in concrete and the sections up the pole. Galvanized rigid steel is an acceptable alternate and if used for the section on the pole, it must be effectively grounded.
6. All trench and duct details shall be in accordance with CUC requirements. A 3" diameter conduit is required for single phase and a 4" diameter conduit is required for three phase circuits. A spare conduit is required for all installations and must be capped above the concrete base.
7. Ducts shall contain a fish wire or rope and the ends shall be capped. Spare ducts do not require a fish wire.
8. All hardware must be hot dipped galvanized.




CUC
You've got the power

457 NORTH SOUND RD.
P.O. BOX 38 G.T., GRAND CAYMAN,
CAYMAN ISLANDS, B.W.I.
TELEPHONE: (345)-945-5300/5200

DATE: July 13, 2018
DRAWN: C. Rose
REV.: N. Malcolm
DATE: October 05, 2020

**STANDARD SERVICE & METERING
ARRANGEMENT**

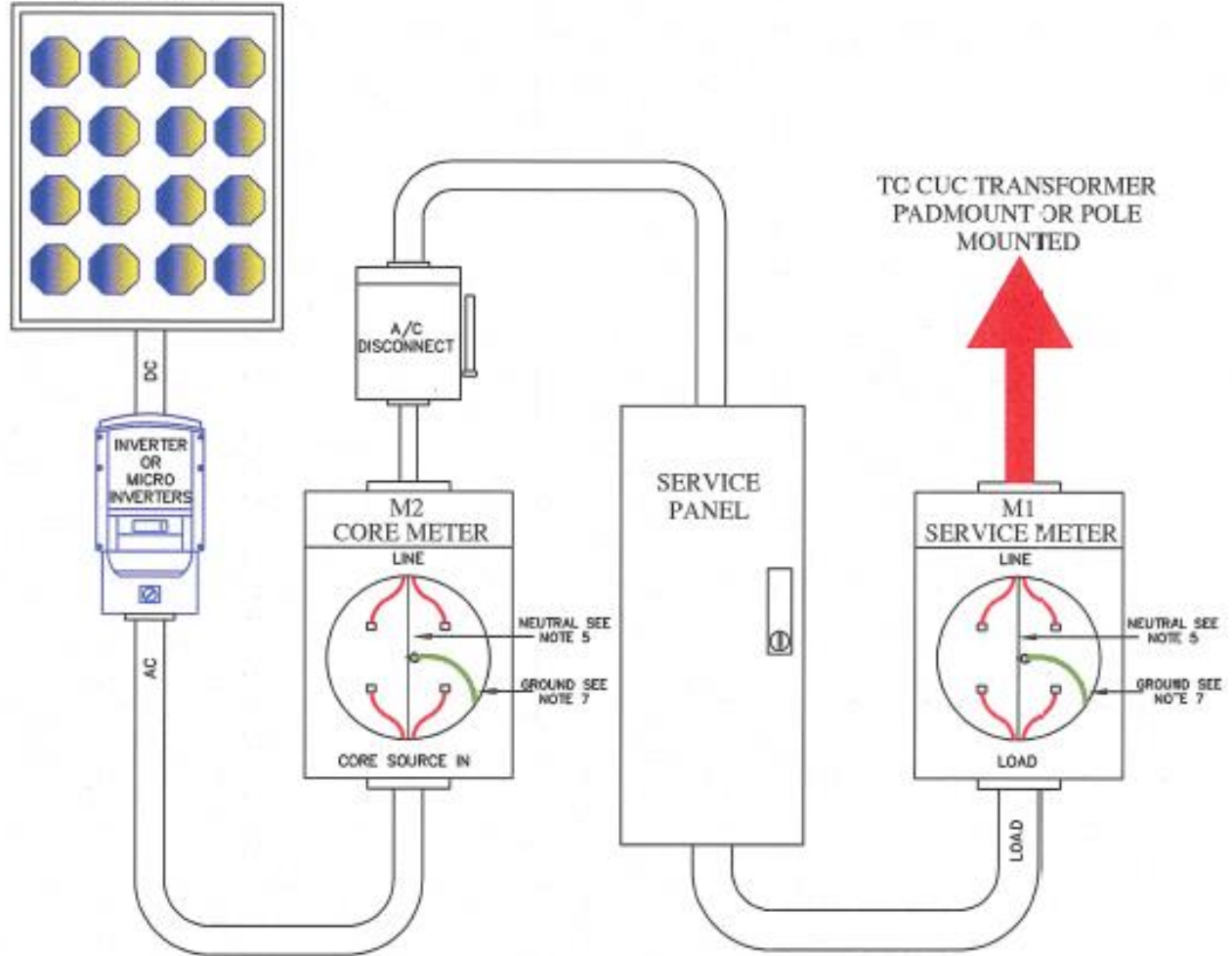
**UNDERGROUND PRIMARY INSTALLATION
DETAILS**

APPROVED BY:	STANDARD NO. 18-20
DATE:	

U:\DEPT08\Acad\Drawings\T&D\Standards\Standards Committee\2015\Progress\CORE AE-A1.dwg, 3/12/2015 11:09:29 AM, WFILE-PRINT\VD023CLRLZ1

ALTERNATIVE ENERGY INTERCONNECTION TYPE "A" METERING DIAGRAM

ALTERNATIVE ENERGY GENERATOR



NOTES:

1. REFER TO CUC CORE CONNECTION AGREEMENT FOR DISCONNECT REQUIREMENTS
2. INSTALLATION SHALL CONFORM TO THE ELECTRICAL CODE OF THE CAYMAN ISLANDS & CUC REQUIREMENTS
3. METER SOCKET SHALL BE UL APPROVED WHERE METER SOCKET IS SURFACE MOUNTED WITH UNDERGROUND SUPPLY, A BLANK TOP METER SOCKET SHALL BE REQUIRED
4. METER SHALL BE MOUNTED: MIN 5'-6" & MAX 6'-6" (CENTER)
5. NEUTRAL CONDUCTOR MUST PASS THROUGH THE NEUTRAL METER CONNECTION . NEUTRAL CANNOT BE BROKEN
6. REFER TO CUC STANDARD SERVICE METERING INSTALLATION OF SERVICE METER CAN
7. GROUND WIRE PASS THROUGH THE METER SOCKET AND BE BONDED TO THE GROUND BAR THEN CONNECTED TO THE MAIN SWITCH OR PANEL GROUND



457 NORTH SOUND RD.
P.O. BOX 38 G.T., GRAND CAYMAN,
CAYMAN ISLANDS, B.W.I.
TELEPHONE: (345)-949-5300/5200

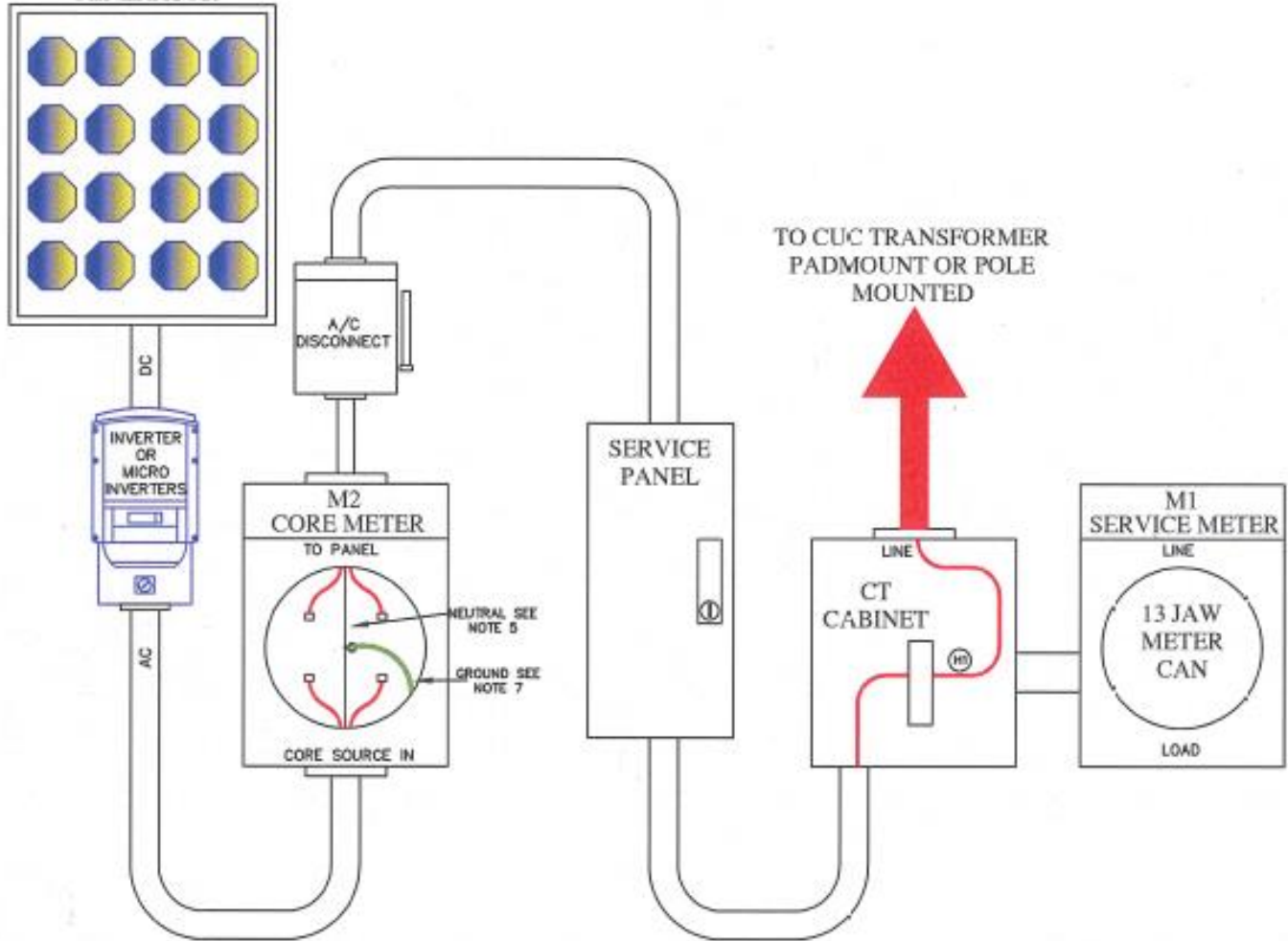
DATE: JAN. 2015
DRAWN: DM

REV:
DATE:

DISTRIBUTION STANDARDS	
ALTERNATIVE ENERGY INTERCONNECTION TYPE "A" METERING DIAGRAM	
APPROVED BY: <i>[Signature]</i>	STANDARD NO.
DATE: 2015.03.05	AE-A1

ALTERNATIVE ENERGY INTERCONNECTION TYPE "A" WITH CT METER

ALTERNATIVE ENERGY GENERATOR



NOTES:

1. REFER TO CUC CORE CONNECTION AGREEMENT FOR DISCONNECT REQUIREMENTS
2. INSTALLATION SHALL CONFORM TO THE ELECTRICAL CODE OF THE CAYMAN ISLANDS & CUC REQUIREMENTS
3. METER SOCKET SHALL BE UL APPROVED WHERE METER SOCKET IS SURFACE MOUNTED WITH UNDERGROUND SUPPLY, A BLANK TOP METER SOCKET SHALL BE REQUIRED
4. METER SHALL BE MOUNTED: MIN 5'-6" & MAX 6'-6" (CENTER)
5. NEUTRAL CONDUCTOR MUST PASS THROUGH THE NEUTRAL METER CONNECTION . NEUTRAL CANNOT BE BROKEN
6. REFER TO CUC STANDARD SERVICE METERING INSTALLATION OF SERVICE METER CAN.
7. GROUND WIRE PASS THROUGH THE METER SOCKET AND BE BONDED TO THE GROUND BAR THEN CONNECTED TO THE MAIN SWITCH OR PANEL GROUND



457 NORTH SOUND RD.
P.O. Box 38 G.T., GRAND CAYMAN,
CAYMAN ISLANDS, B.W.I.
TELEPHONE: (345)-969-5300/5200

DATE: JAN. 2015
DRAWN: DM

REV:
DATE:

DISTRIBUTION STANDARDS

ALTERNATIVE ENERGY INTERCONNECTION TYPE "A" METERING DIAGRAM - CT METER

APPROVED BY: *[Signature]*

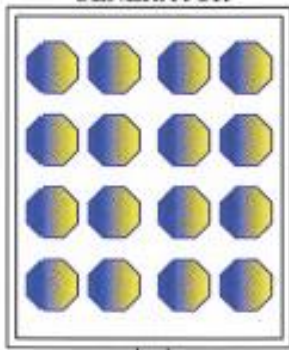
DATE: 2015-03-05

STANDARD NO.

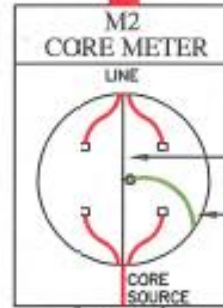
AE-A2

ALTERNATIVE ENERGY INTERCONNECTION TYPE "B"

ALTERNATIVE ENERGY GENERATOR



TO CUC TRANSFORMER
PADMOUNT OR POLE
MOUNTED



NOTE: TYPE "B" CONNECTIONS ARE NOT PERMITTED TO BE MADE WITHIN C.T. CABINETS

NEUTRAL SEE NOTE 5
GROUND SEE NOTE 7

NOTES:

1. REFER TO CUC CORE CONNECTION AGREEMENT FOR DISCONNECT REQUIREMENTS
2. INSTALLATION SHALL CONFORM TO THE ELECTRICAL CODE OF THE CAYMAN ISLANDS & CUC REQUIREMENTS
3. METER SOCKET SHALL BE UL APPROVED WHERE METER SOCKET IS SURFACE MOUNTED WITH UNDERGROUND SUPPLY, A BLANK TOP METER SOCKET SHALL BE REQUIRED
4. METER SHALL BE MOUNTED: MIN 5'-6" & MAX 6'-6" (CENTER)
5. NEUTRAL CONDUCTOR MUST PASS THROUGH THE NEUTRAL METER CONNECTION. NEUTRAL CANNOT BE BROKEN
6. REFER TO CUC STANDARD SERVICE METERING INSTALLATION OF SERVICE METER CAN
7. GROUND WIRE PASS THROUGH THE METER SOCKET AND BE BONDED TO THE GROUND BAR THEN CONNECTED TO THE MAIN SWITCH OR PANEL GROUND



457 North-Sound Rd.
P.O. Box 28 G.T., GRAND CAYMAN,
CAYMAN ISLANDS, B.W.I.
TELEPHONE (345)-949-5300,5200

DATE: JAN. 2015
DRAWN: DM

REV:
DATE:

DISTRIBUTION STANDARDS

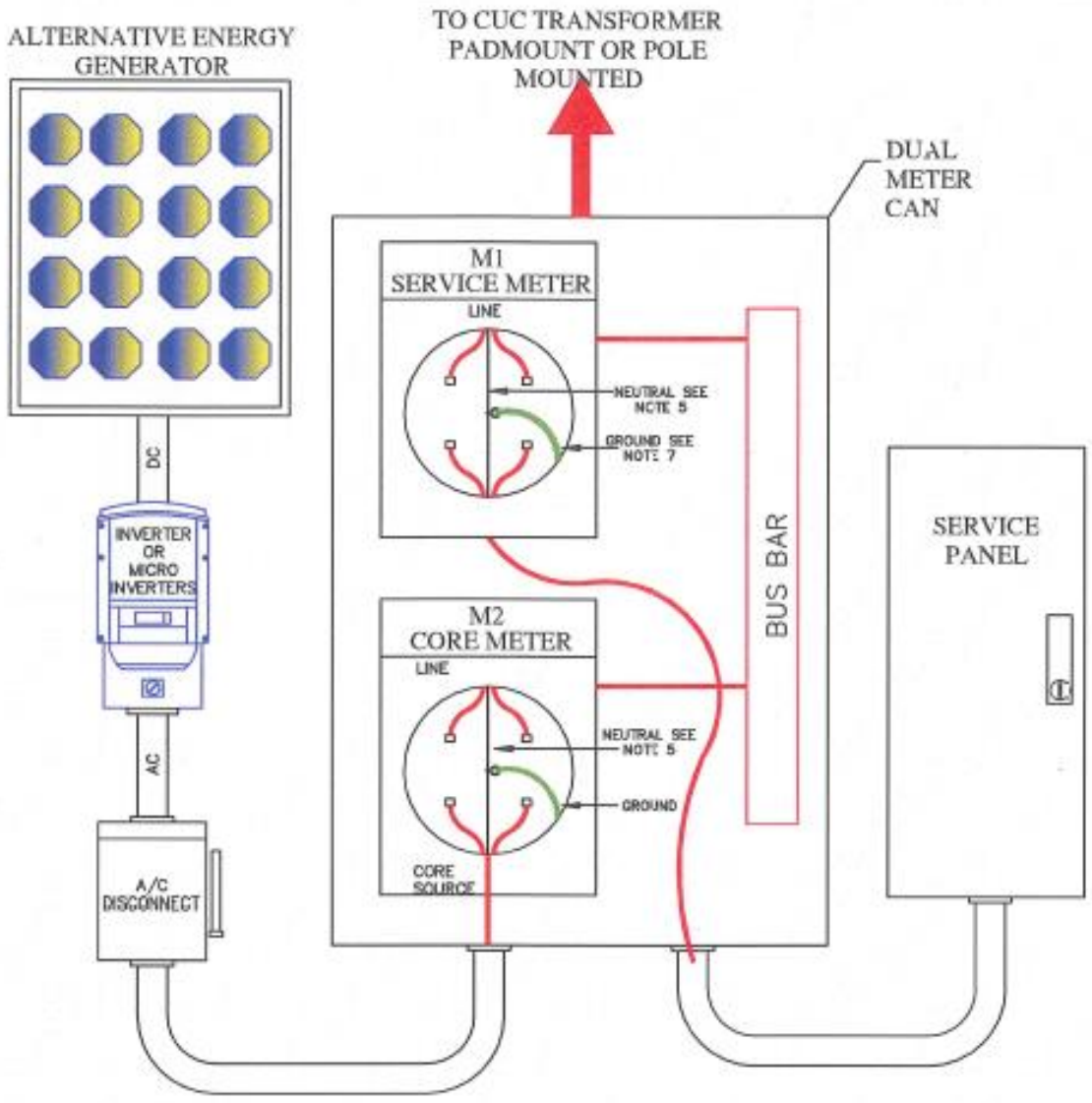
**ALTERNATIVE ENERGY
INTERCONNECTION TYPE "B"
METERING DIAGRAM**

APPROVED BY: *[Signature]*
DATE: *March 4, 2015*

**STANDARD NO.
AE-B1**

U:\DEPT08\VA\end\Drawings\T&D\Standards\Standards Committee\2015\Progress\CORE AE-B2 New.dwg, 3/4/2015 8:20:03 AM, DWG To PDF.pc3

ALTERNATIVE ENERGY INTERCONNECTION TYPE "B" - DUAL METER CAN



NOTES:

1. REFER TO CUC CORE CONNECTION AGREEMENT FOR DISCONNECT REQUIREMENTS
2. INSTALLATION SHALL CONFORM TO THE ELECTRICAL CODE OF THE CAYMAN ISLANDS & CUC REQUIREMENTS
3. METER SOCKET SHALL BE UL APPROVED WHERE METER SOCKET IS SURFACE MOUNTED WITH UNDERGROUND SUPPLY, A BLANK TOP METER SOCKET SHALL BE REQUIRED
4. METER SHALL BE MOUNTED: MIN 5'-6" & MAX 6'-6" (CENTER)
5. NEUTRAL CONDUCTOR MUST PASS THROUGH THE NEUTRAL METER CONNECTION . NEUTRAL CANNOT BE BROKEN
6. REFER TO CUC STANDARD SERVICE METERING INSTALLATION OF SERVICE METER CAN
7. GROUND WIRE PASS THROUGH THE METER SOCKET AND BE BONDED TO THE GROUND BAR THEN CONNECTED TO THE MAIN SWITCH OR PANEL GROUND

You've got the power

457 North Sound Rd.
P.O. Box 38 G.T., GRAND CAYMAN,
CAYMAN ISLANDS, B.W.I.
TELEPHONE: (345)-949-5300/5200

DATE: JAN. 2015
DRAWN: DM

REV:
DATE:

DISTRIBUTION STANDARDS

ALTERNATIVE ENERGY INTERCONNECTION TYPE "B" WITH DUAL METER CAN

APPROVED BY: *[Signature]*
DATE: *March 4, 2015*

STANDARD NO.
AE-B2